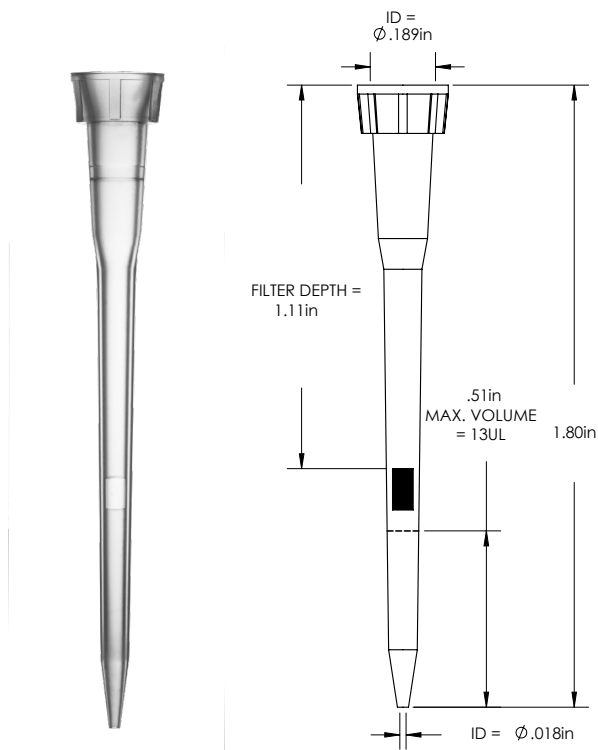
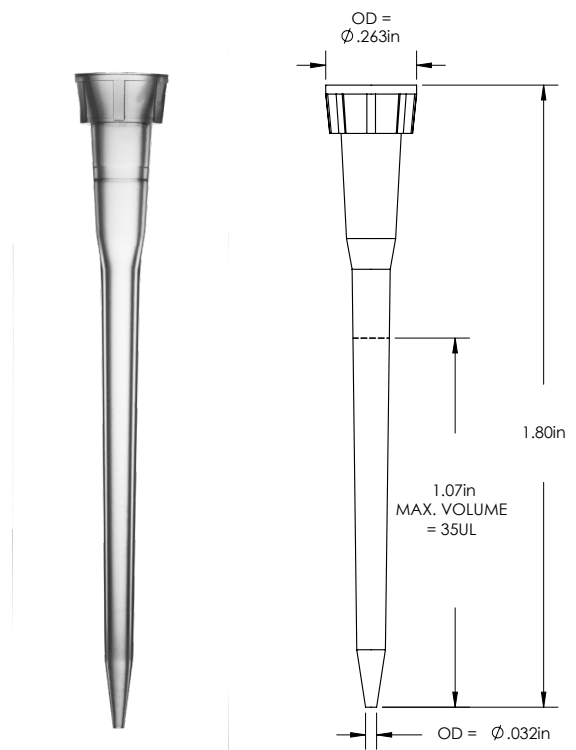


Series	BT10E Series 10 µl Eppendorf™ Style Barrier Tip	2140 Series 10 µl Eppendorf™ Style Tip	
Part Number	BT10E	2140	2142 2142.S
Graduation Marks	Graduation marks are indicated at both 0.5 µl, 2 µl and 10 µl locations Refer to product image for visuals		
Tip Composition	Neptune pipette tips are made of virgin polypropylene		
Tip Type	S <sup>3</sup> - Low Retention		
Filter Material	High Density Polyethylene Filter	Non-Filtered Products	
Offered in Sterile Format	Yes	No	Yes
Configuration	Racked	Bulk	Racked
Packaging Breakdown	96 tips/ rack 10 racks/ pack 5 packs/ case	1000 tips/ bag 20 bags/ case	96 tips/ card 20 cards/ pack 4 packs/ case
Autoclavable	No	Autoclavable at 120°C for 10-15 minutes at 15 PSI	
Storage Condition	Store in a clean, dry environment at room temperature 15-30°C		

**BT10E Series**



**2140 Series**



# Product Specification Sheet

## Quality Control:

<b>Certificates of Compliance</b>	Each lot undergoes stringent inspection and individual lot testing ensures Neptune products are certified RNase, DNase, DNA and Endotoxin-free. Visit <a href="http://www.neptunescientific.com">www.neptunescientific.com</a> to obtain a copy of a certificate of compliance for your Neptune product.
<b>RNase/ DNase</b>	Products are washed in distilled water and concentrated via centrifugation. Samples are added to previously established nucleic acid standards, incubated for one hour at 37°C, and tested on a 2% gel using electrophoresis. Products must show no degradation of standards to pass. Test sensitivity is 10-7 Kunitz units/μl.
<b>Nucleic Acid</b>	Products are washed in distilled water and concentrated via centrifugation. Then, samples are added to protocol specified PCR reactions and thermal cycled for 50 cycles. A 2% agarose gel electrophoresis is used to examine experimental samples, positive controls, and negative controls. To pass, product samples must show no DNA amplification. Test sensitivity is 10 ng.
<b>Endotoxin/ Pyrogen</b>	Products are tested for endotoxins by using the Limulus Amebocyte Lysate (LAL) gel assay according to FDA guidelines. Test sensitivity is 0.06 EU/ml.
<b>Sterilization</b>	Products are sterilized using electron beam irradiation.
<b>Traceability</b>	Each product contains a 5 digit lot number located on the rack, pack and case of each finished good. With Neptune's advanced manufacturing process all raw materials are able to be traced for maximum quality assurance.

## Advancements in Liquid Handling

<b>S<sup>3</sup></b>	Neptune's exclusive S <sup>3</sup> polymer was designed to increase pipetting accuracy by virtually eliminating tip retention and sample hold-up.
<b>ESP Reload</b>	Neptune's ESP (Environmental Sustainable Pack) was the industry's first pipette reload system designed to minimize plastic waste by 90% and provide an environmentally friendly solution.
<b>Aerosol Barrier Tip</b>	Specifically engineered to reduce cross contamination.

## Pipettor Compatibility:

Biohit Proline™ 10 μl	Nichiryo Nichipet EX™ 10 μl
Brand Transferpette S™ 10 μl	Nichiryo Oxford Benchmate™ 2 μl
Capp™ 10 μl	Nichiryo Oxford Multimate™ 10 μl
Eppendorf Reference™ 2.5 μl and 10 μl	Socorex Calibri 822™ 10 μl
Eppendorf Research™ 2.5 μl and 10 μl	VWR Ultra High Performance™ 2 μl and 10 μl
Eppendorf Research Plus™ 2.5 μl and 10 μl	
Eppendorf Xplorer™ 10 μl	
Finnpipette™ 10 μl	
Gilson Pipetman™ P2 and P10	
Hamilton™ 2 μl and 10 μl	