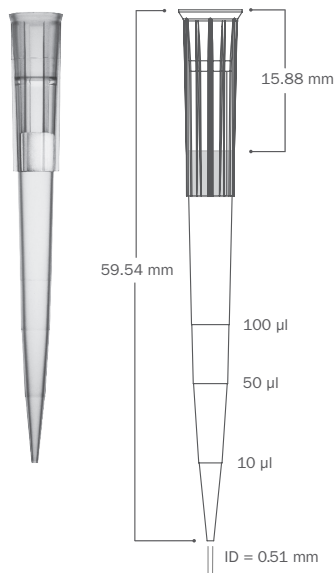
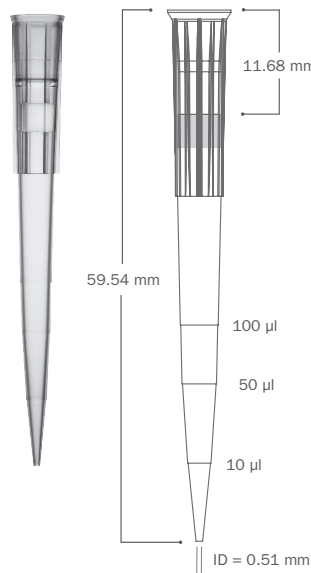


Series	BT200 Series 200 µl Barrier Tip		BT300 Series 300 µl Barrier Tip	2090 Series 300 µl Universal Tip		
Part Number	BT200-ESP	BT200	BT300	2090.N 2090	2097.N 2097.NS 2097 2097.S	2092.N 2092.NS 2092 2092.S
Graduation marks	Graduation marks are indicated at 10 ul, 50 ul, and 100 ul locations - refer to product image for visuals					
Tip Composition	Neptune pipette tips are made of virgin polypropylene					
Tip Type Available	S ³ *			Natural Polypropylene and S ³ *		
Filter Material	High Density Polyethylene Filter			Non-filtered Products		
Offered in Pre-Sterile Format	Yes			No	Yes	
Configuration	ESP Reload**	Racked		Bulk	ESP Reload**	Racked
Packaging Breakdown	96 tips per insert 10 racks per pack 4 packs per case	96 tips per rack 10 racks per pack 5 packs per case		1000 tips per bag 10 bags per case	96 tips per card 10 cards per pack 10 packs per case	96 tips per card 10 cards per pack 5 packs per case
Autoclavable	No			Autoclavable at 120° C for 10-15 minutes at 15 PSI		
Storage Conditions	Store in a clean, dry environment at room temperature 15-30 °C					

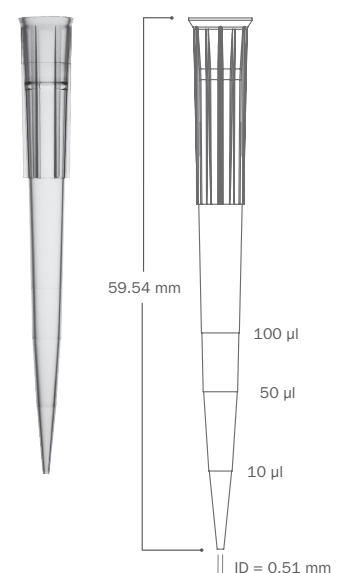
BT200 Series



BT300 Series



2090 Series



S³* Sample Saving Surface virtually eliminates sample hold-up
ESP Reload** Neptune's patented reload system
 Environmentally Sustainable Pack (ESP) reduces plastic waste by up to 90%



Quality Control:

Certificates of Compliance	Each lot undergoes stringent inspection and individual lot testing ensures Neptune products are certified RNase, DNase, DNA and Endotoxin-free. Visit www.neptunescientific.com to obtain a copy of a certificate of compliance for your Neptune product.
RNase/DNase	Products are washed in distilled water and concentrated via centrifugation. Samples are added to previously established nucleic acid standards, incubated for one hour at 37°C, and tested on a 2% gel using electrophoresis. Products must show no degradation of standards to pass. Test sensitivity is 10 ⁻⁷ Kunitz units/μl.
Nucleic Acid	Products are washed in distilled water and concentrated via centrifugation. Then, samples are added to protocol specified PCR reactions and thermal cycled for 50 cycles. A 2% agarose gel electrophoresis is used to examine experimental samples, positive controls, and negative controls. To pass, product samples must show no DNA amplification. Test sensitivity is 10 ng.
Endotoxin/Pyrogen	Products are tested for endotoxins by using the Limulus Amebocyte Lysate (LAL) gel assay according to FDA guidelines. Test sensitivity is 0.06 EU/ml.
Sterilization	Products are sterilized using electron beam irradiation.
Traceability	Each product contains a 5 digit lot number located on the rack, pack and case of each finished good. With Neptune's advanced manufacturing process all raw materials are able to be traced for maximum quality assurance.

Advancements in Liquid Handling:

S ³	Neptune's exclusive S ³ polymer was designed to increase pipetting accuracy by virtually eliminating tip retention and sample hold-up.
ESP Reload	Neptune's ESP (Environmentally Sustainable Pack) was the industry's first pipette reload system designed to minimize plastic waste by 90% and provide an environmentally friendly solution.
Aerosol Barrier Tip	Specifically engineered to reduce cross contamination.

Pipettor Compatibility:

Biohit™ M100 and M200

Biohit Proline Plus™ 100 μl
(works with 2090 Series)

Biohit Proline Plus™ 200 μl

Brand Transferpette S™ 200 μl

Brand Transferpette Electronic™ 300 μl

Capp™ 50 μl, 100 μl and 300 μl

CLP Beta-Pette™ 200 μl

CLP Poseidon™ 50 μl , 100 μl, 200 μl
and 300 μl

CLP Poseidon Electronic™ 200 μl

Eppendorf Reference™ 200 μl

Eppendorf Research™ 100 μl
(works with 2090 Series)

Eppendorf Research™ 200 μl and 300 μl

Eppendorf Research Plus™ 200 μl

Eppendorf Xplorer™ 300 μl

Finnpipette™ 50 μl, 200 μl and 300 μl

Finnpipette™ Electronic 300 μl

Gilson Pipetman™ P200

Gilson Pipetman Ultra™ U200

Hamilton™ 25 μl, 100 μl and 300 μl

Nichiryo Nichipet EX™ 200 μl

Nichiryo Oxford Multimate™ 300 μl

Socorex Calibri 822™ 200 μl

VWR Ergonomic High Performance™ 20 μl
(works with 2090 Series)

VWR Ergonomic High Performance™ 200 μl

VWR Ultra High Performance™ 20 μl,
100 μl (works with 2090 Series)

VWR Ultra High Performance™ 200 μl